

**CL1**  
CROSSLINE LASER




I N S T R U C T I O N M A N U A L

# SAFETY

Read the following safety instructions before attempting to operate this product.


Keep these instructions in a safe place or store in the carry case for future reference.


## **SAVE ALL WARNINGS AND INSTRUCTIONS FOR FUTURE REFERENCE.**


 **WARNING:** Read and understand all instructions.

- Use the laser only with the specifically designated batteries.
- Store the laser out of reach of children and other untrained persons. Lasers are dangerous in the hands of untrained users.
- Use only accessories that are recommended for your model.
- Tool service must be performed only by qualified repair personnel. Repairs, service or maintenance performed by unqualified personnel will void the warranty. Only approved and authorised service technicians can carry out warranty repairs.
- Do not use optical tools such as a telescope or transit to view the laser beam. Serious eye injury could result.
- Do not place the laser in a position which may cause anyone to intentionally or unintentionally stare into the laser beam. Serious eye injury could result.
- Do not position the laser near a reflective surface which may reflect the laser beam toward anyone's eyes. Serious eye injury could result.
- Do not use optical tools to view the laser beam.

- Do not set up the tool at a position where the laser beam can cross any person at head height.
- Do not let children come in contact with the laser.
- Turn the laser off when it is not in use. Leaving the laser on increases the risk of staring into the laser beam.
- Do not operate the laser around children or allow children to operate the laser. Serious eye injury may result.
- Do not remove or deface warning labels.
- Position the laser securely on a level surface. Damage to the laser or serious injury could result if the laser falls.

 **WARNING: This instrument is intended for DIY use only.** Using this instrument for professional trade applications will void the warranty.

 **WARNING: DO NOT DISASSEMBLE THE LASER.** There are no user serviceable parts inside. Disassembling the laser will void all warranties on the product. Do not modify the product in any way. Modifying the tool may result in hazardous laser radiation exposure.

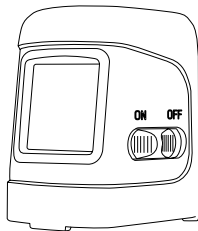
 **CAUTION: Class 2 Laser Product**

- Never look into the laser beam directly and intentionally.
- Do not use optical tools to view the laser beam.
- Do not set up the tool at a position where the laser beam can cross any person at head height.
- Do not let children come in contact with the laser.

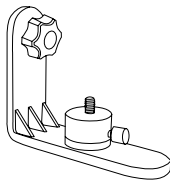
# ITEM CHECKLIST

Please ensure the following items are included with your laser level.

If anything is missing please contact your retailer.



Centre Point CL1



Magnetic mount

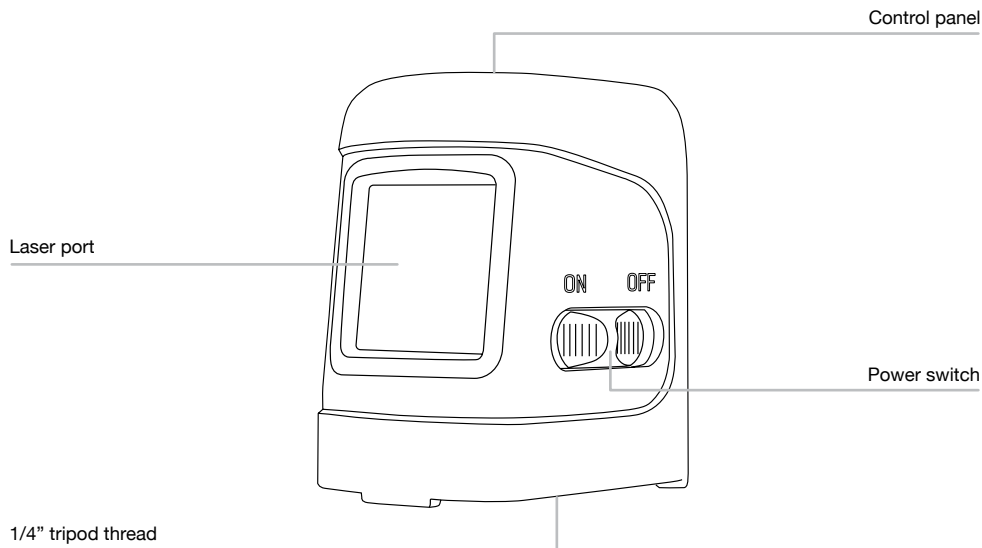


AA alkaline batteries

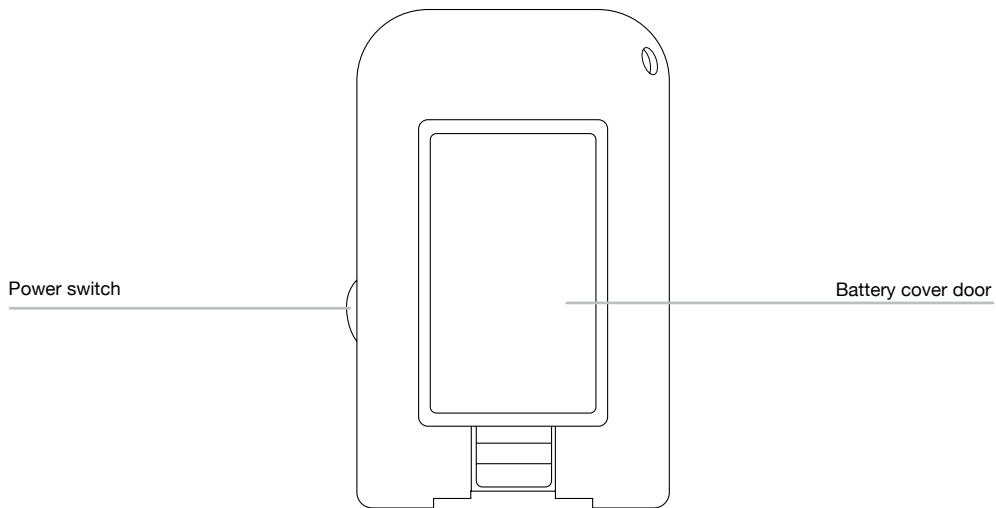


Carry pouch

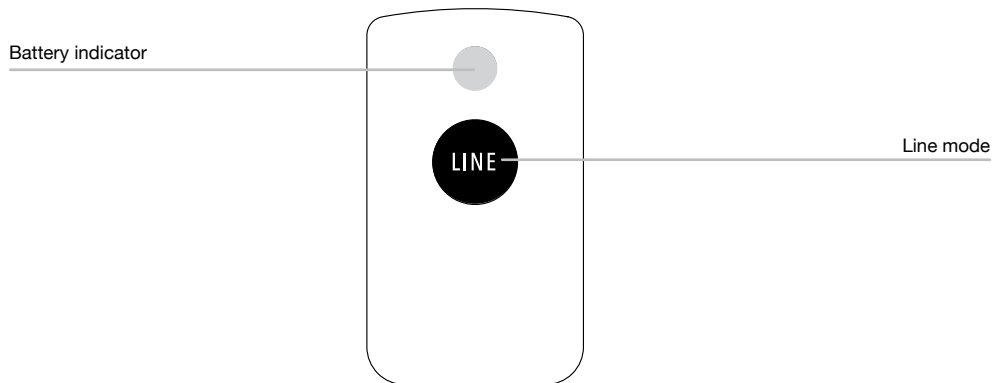
# LASER OVERVIEW



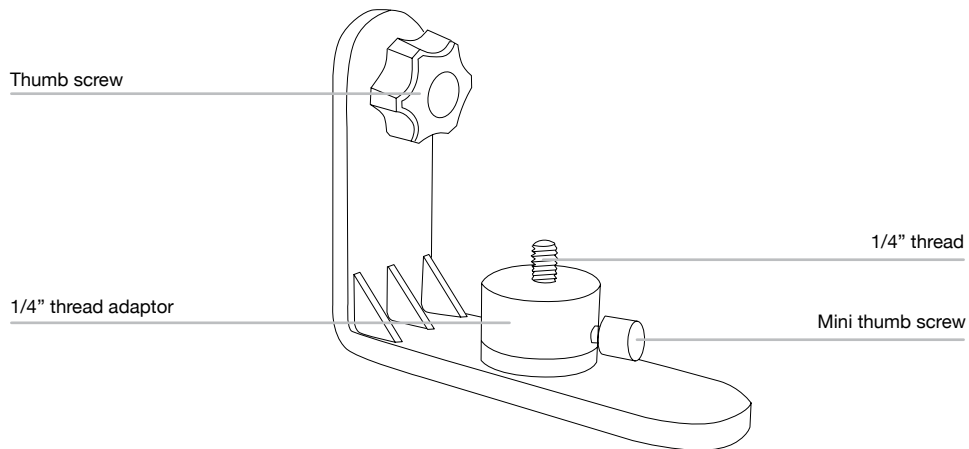
## LASER OVERVIEW: BACK



# LASER OVERVIEW: CONTROL PANEL



# MAGNETIC MOUNT OVERVIEW





# USING YOUR LASER

## POWER SUPPLY

- The instrument is powered by two AA alkaline batteries.

## BATTERY REPLACEMENT

- Remove the battery cover door and the batteries.
- Insert the batteries according to polarity and replace the battery door.

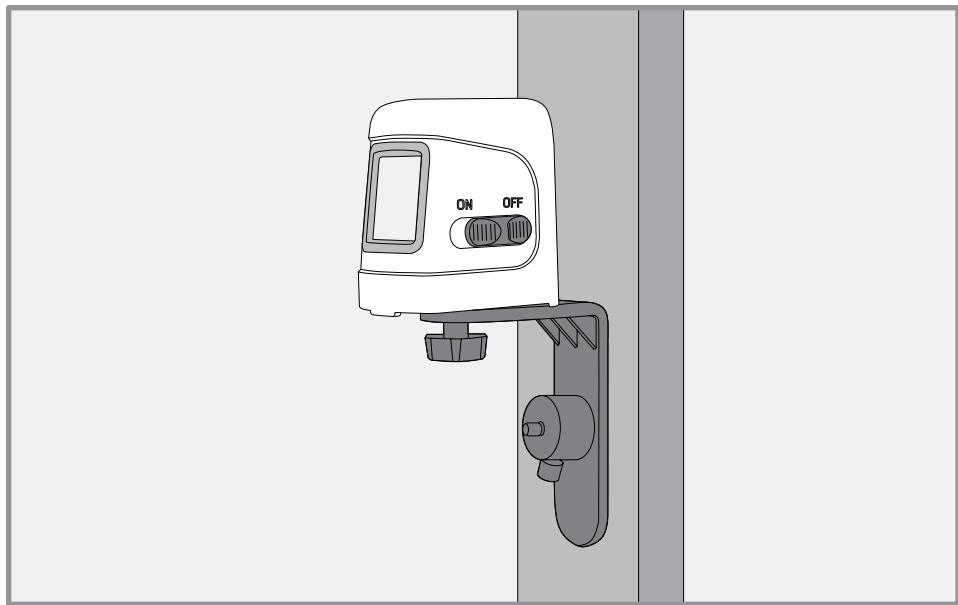
## SET UP

- Select a place as close as practical to the work site. Ensure the location is clear of traffic.
- Place the instrument on a level surface such as a bench or mount.
- To mount the instrument onto the supplied magnetic mount, follow the instructions on page 10-13.

## **USING THE MAGNETIC MOUNT**

### **Mounting onto a magnetic surface**


- Attach the instrument to the mount using the thumb screw.
- Attach the mount to a metal surface, ensuring that the mount has a strong hold before releasing your hands.
- To rotate the instrument on the mount, loosen the thumb screw, position the instrument, and then re-tighten the thumb screw.

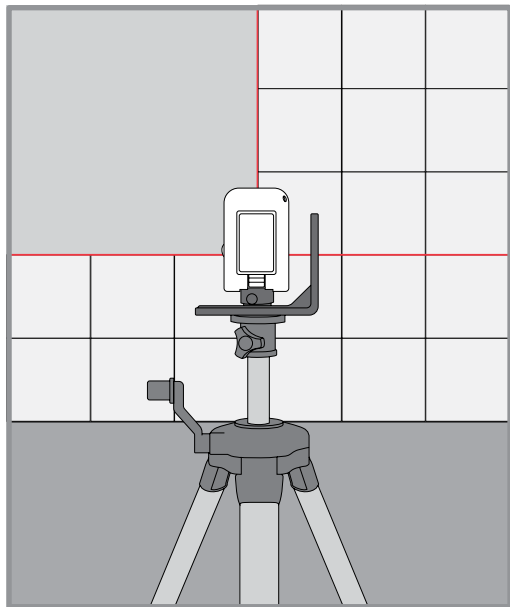
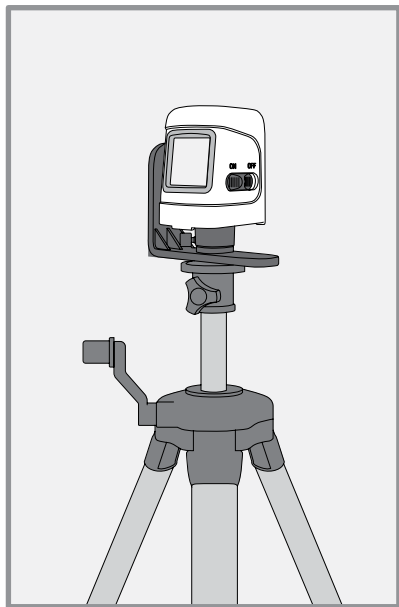


## USING THE MAGNETIC MOUNT

### Mounting onto a tripod (5/8 x 11")


- Remove the rotating 1/4" thread adaptor from the mount.
- Attach the 1/4" thread adaptor to the instrument.
- Attach the mount onto the tripod.
- Place the instrument with the attached 1/4" thread adaptor onto the mount and secure using the mini thumb screw.
- To rotate the instrument on the mount, loosen the mini thumb screw, position the instrument, and then re-tighten the mini thumb screw.

 The tripod is an optional accessory which can be purchased from your retailer.



## OPERATION

- To turn the instrument on, slide the power switch to the “on” position. Self levelling will commence and all the beams will activate.
- If the instrument is outside the self levelling range the instrument will not level causing the laser beam to flash on and off repeatedly. If this occurs, reposition the instrument onto a level surface until the instrument can level off.
- Press the line mode button on the control panel to cycle through the active beams.

 This instrument is intended for DIY use only. Using this instrument for professional trade applications will void the warranty.

# TROUBLE SHOOTING

Error	Cause & Solution
<b>Laser does not turn on</b>	<ul style="list-style-type: none"><li>▪ Check the batteries. They may be in the wrong way or need replacing.</li><li>▪ Check the battery compartment for signs of damage. Ensure they are clean and not bent.</li></ul>
<b>Laser does not remain on for long periods of use.</b>	<ul style="list-style-type: none"><li>▪ Check the batteries.</li><li>▪ Check the battery compartment for signs of damage. Ensure they are clean and not bent.</li></ul>
<b>Laser does not level off</b>	<ul style="list-style-type: none"><li>▪ Instrument may be outside its self levelling range. Adjust the instrument or tripod so it is level.</li><li>▪ Instrument may have impact damage.</li></ul>


# CARE AND MAINTENANCE

- This is a precision measuring instrument and should always be handled with care and transported within the carry pouch provided.
- Always slide the power switch to the “off” position when transporting the instrument or moving around the job site.
- Whenever possible, store the instrument in a dry, shady location.
- Calibration of the instrument is recommended: every six months, if ongoing accurate levelling is required, or an impact has occurred.
- The operator should check the accuracy of the instrument before precision levelling is attempted. Failure to do so may result in inaccurate measurements.
- Clean the instrument with a dry, soft cloth after use in dusty, damp or wet conditions before storing.
- Smudges and fingerprints may be removed with a damp tissue or a soft, lint-free cloth.



# WARRANTY

**The Centre Point CL1 comes with a 3 (three) year manufacturers warranty.**

 This instrument is intended for DIY use only. Using this instrument for professional trade applications will void the warranty.

## AUSTRALIA

“Our goods come with guarantees that cannot be excluded under the Australian Consumer Law. You are entitled to a replacement or refund for a major failure and for compensation for any other reasonably foreseeable loss or damage. You are also entitled to have the goods repaired or replaced if the goods fail to be of acceptable quality and the failure does not amount to a major failure.”

For more information please visit  
[consumerlaw.gov.au](http://consumerlaw.gov.au)

## NEW ZEALAND

For more information please visit  
[consumerprotection.govt.nz](http://consumerprotection.govt.nz)

# CUSTOMER SUPPORT

To assist you with any queries or technical questions please contact customer support

**Australia: 1300 658 338**

**New Zealand: 0800 367 527**

# SPECIFICATIONS

Specifications	Centre Point CL1
Product code	400031
Warranty	3 Years
Accuracy	±3mm at 10m
Operating range	20m (indoors)
Levelling range	±4°
Laser class	2 Red
Battery life	8 hours
Battery type	2x 1.5v AA
Vertical lines	1
Horizontal lines	1
IP rating	54
Weight (kg)	0.34
Dimensions (mm)	90 x 60 x 85



[www.spoton.com.au](http://www.spoton.com.au)